

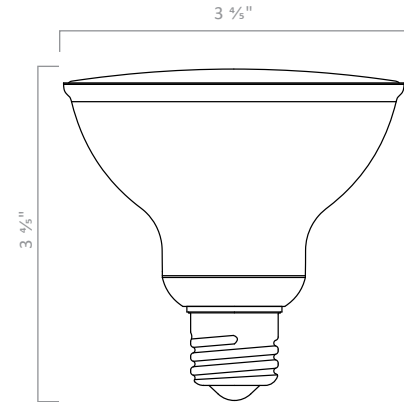
LRP30

PAR30 | LED LAMP

- 120 V
- 50,000 Hours (L70)
- Halogen PAR form factor (ANSI compliant)
- Lightest LED lamps on the market
- RoHs-compliant
- Wet location rating
- ETL Certified to UL Standard 1993
- Contain no lead or mercury
- Fully dimmable; Compatibility list available.
- Base Types: E26 Standard; GU24*
- Recommended for use in open environment fixtures
- Approved for use in recessed IC and non-IC rated fixtures with open apertures only
- *MonoWhite color rendering enhancements available
- 90+ High CRI standard



Weight: 7.4 oz.



Ordering Information		Example: LRP30/40/30h/WH	
Lamp	Beam Spread	CCT	Color
LRP30	25	25h*	WH - White
	40	27h	*SV - Silver
		30m*	*BK - Black
		30h	
		35m*	
		35h*	
		40h*	
		50h*	

Lamp	Product Code			Power (Watts)	CBCP (cd)	Standard CRI
	Beam Angle	CCT	Delivered Lumens			
LRP30	25	25h	600	8.5	2200	90
	40				900	
	25	27h	675		2200	
	40				900	
	25	30h	700		2375	
	40				975	
	25	30m*			2375	
	40	35m*			975	

*Consult factory for lead time and availability
 Note: MonoWhite products will produce up to 20% less measured lumens than their standard CCT equivalent; Although, MonoWhite product perceived lumens will be noticeably higher than their standard counterparts.



Therottle

Thermal Throttle – In the event that Solais products begin to overheat, they will undetectably dim themselves to protect your technology investments.



Optics2

OPTICS² involves a recessed primary optic and surface secondary optic that allows Solais LRP lamps to duplicate the exact performance and aesthetics of incandescents.



Warranty



IES Files



Dimmers

WARNING: Not for use in fully enclosed luminaires. Risk of electric shock. Use in an indoor, dry location only. This device is not intended for use with emergency exit fixtures or emergency exit lights. May not be compatible with all dimmers; please visit solais.com/dimming for up-to-date dimmer compatibility information.

NOTES: This device complies with Part 15 of the FCC Rule. This product may cause interference with other devices. If interference occurs, change the locations of the products involved. **Compatible on 120v systems.**