

Nano Lucie LCN 2-INCH TRACKHEAD FIXTURE

PROJECT _____

TYPE _____

SPECIFICATION _____

MAIN FEATURES

- 95 CRI Standard; 98+ CRI option available
- Delivering 700 lumens at 3000K, 95 CRI and 8W
- Custom integrated driver meets IEEE 1789-2015 Low Risk flicker category across dimming range
- Custom TIR optic platform to ensure excellent light control
- 359° rotation; 0-90° head tilt
- Accommodates up to two accessories in addition to snoot

CONSTRUCTION + FINISH

- Weight: 13.4 oz.
- Die-cast aluminum alloy housing for optimal thermal performance
- Standard finishes:
 - White: RAL 9003
 - Black: RAL 9005
 - Silver: RAL 7001

OPTICS + PERFORMANCE

- 5 custom beam spreads available
 - Narrow Spot - 13°
 - Spot - 21°
 - Narrow Flood - 28°
 - Flood - 36°
 - Wide Flood - 54°
 - Very Wide Flood - 71°
- 8W; 700 lumens
- Color Temperatures
 - 95 and 98+ CRI: 2700K, 3000K, 3500K, 4000K, 5000K
- Fixture life:
 - Full power: 50,000 hours
 - 75% power: 100,000 hours
 - Below 50% power: 125,000 hours
 - LED 90% lumen maintenance: 60,000 hours

ELECTRICAL + CONTROLS

- 120V; 120-277V option available
- TRIAC and ELV dimming <1% for 120 V; 0-10 V dimming <1% for 120-277 V

MOUNTING

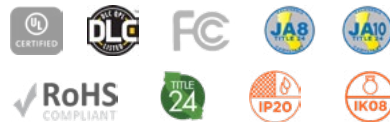
- J-type, L-type, H-type: 120V, 1-circuit/1-neutral; Low profile adapter
- G-type: 120V, 2-circuit/2-neutral;
- Gx-type*: 120V, 3-circuit/1-neutral;
- G1-type*: 220-240V, 1-circuit/1-neutral;
- G2-type*: 277V, 2-circuit/2-neutral;
- G3-type*: 220-240V, 3-circuit/1-neutral;
- GP-type*: 120V, 2-circuit/2-neutral; 0-10V dimming ONLY
- GxP-type*: 120V, 3-circuit/1-neutral; 0-10V dimming ONLY
- G2P-type*: 277V, 2-circuit/2-neutral; 0-10V dimming ONLY

RATINGS + CERTIFICATIONS

- IP20 and IK08 rated
- DLC listings (family code: IIONW)
- 120V: UL Listed for dry location (E487826), CEC Title 24, JA8 + JA10 compliant
- 277V: UL listing for dry location (E487826)

WARRANTY

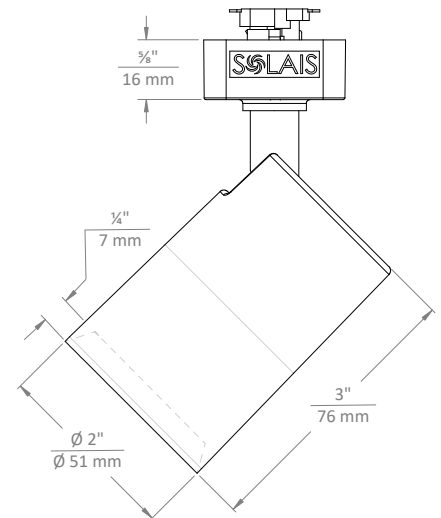
- 5-year warranty



Ordering Information

Example: LCN/1/NFL/830/700/PW/J/SN-S6

Fixture	Beam Spread	CRI	CCT	Lumens	Finish Color	Mount Types	Options + Accessories
LCN	NSP - 13° SP - 21° NFL - 28° FL - 36° WFL - 54° VFL - 71°	9 - 95 (90+ for NSP) H - 98+	27 - 2700K 30 - 3000K 35 - 3500K* 40 - 4000K* 50 - 5000K*	700	PW - White BK - Black SV - Silver GD - ¹ Gold BZ - ¹ Bronze CR - ¹ Chrome BA - ¹ Brushed Aluminum GC - ¹ Gold Chrome BC - ¹ Black Chrome RC - ¹ Rose Gold Chrome	J L H G* Gx*	SN - Snoot HL - Honeycomb Louver LS - Linear Spread SS - Solite Spread S6 - ² 6" Stem S12 - ² 12" Stem S18 - ² 18" Stem S24 - ² 24" Stem
Voltage						G1*	
1 - 120 V; 1% phase-cut dimming						G2*	
2 - 120-277 V; 1% 0-10 V dimming						G3*	
						GP*	
						GxP*	
						G2P*	



*Consult factory for lead time and availability

Notes: ¹Adapters only match polished finish if specifying J-, L-, or H-type; Else factory will assist to specify PW, BK or SV.

²Stems are custom order and only available with G*, Gx*, GP*, G1*, G2*, G3* and GP2* mounting types.

Nano Lucie LCN 2-INCH TRACKHEAD FIXTURE

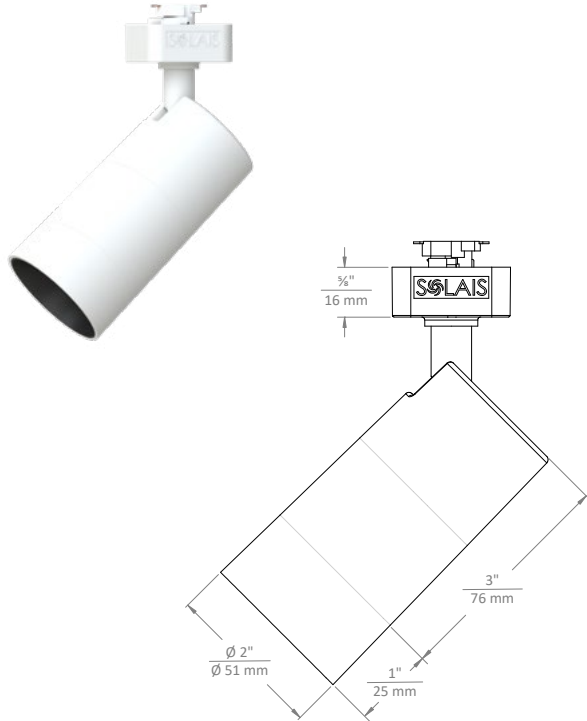
PROJECT _____

TYPE _____

SPECIFICATION _____

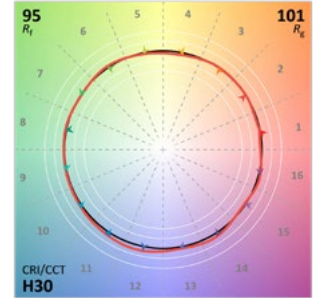
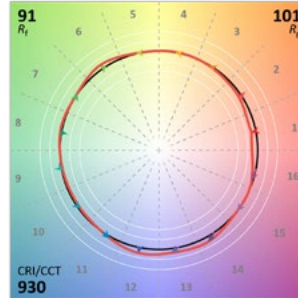
ADDITIONAL IMAGES

- LCN with Snoot



TM30 COLOR REPORTS

- 3000K with 95 CRI
- $R_A = 95$; $R_g = 62$
- $R_f = 92$; $R_g = 101$
- 3000K with 98+ CRI
- $R_A = 98$; $R_g = 96$
- $R_f = 95$; $R_g = 96$



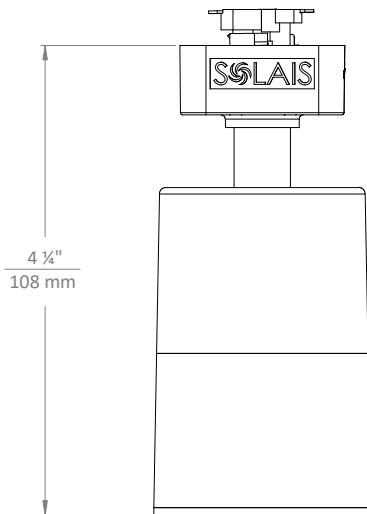
DLC DETAILS

- Family Code I1IONW

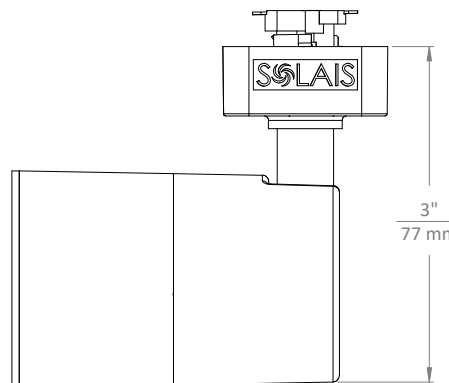
NOTE: 98+ and 5000K models are not DLC listed.

LCN	NSP	SP	NFL	FL	WFL	VFL
700 lumens	not listed					

- LCN at 0°



- LCN at 90°



Nano Lucie LCN

2-INCH TRACKHEAD FIXTURE

PROJECT _____

TYPE _____

SPECIFICATION _____

PHOTOMETRIC DETAILS | baseline X output multiplier X cri-cct multiplier = final output

Baseline data shown below for LCN/1/_/_/930/700/_/_/_ — 8W, 700 lumens, 3000K, 95+ CRI

NSP - 13° Narrow Spot

- Input Power: 9.6 W
- Lumens: 576 lm
- Efficacy: 60 lm/W
- CBCP: 7316 cd
- Beam Angle: 12.9°
- Field Angle: 28.7°
- Spacing Criteria: 0.23

∠	0°	45°	90°
0°	7316	7316	7316
5°	5189	5189	5189
10°	1757	1757	1757
15°	642	642	642
20°	140	140	140
25°	37	37	37
30°	13	13	13
35°	3	3	3
40°	0	0	0
45°	0	0	0

SP - 21° Spot

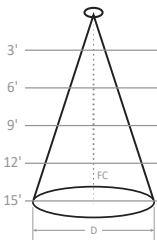
- Input Power: 8.4 W
- Lumens: 683 lm
- Efficacy: 81 lm/W
- CBCP: 3153 cd
- Beam Angle: 21.4°
- Field Angle: 50.6°
- Spacing Criteria: 0.36

∠	0°	45°	90°
0°	3076	3076	3076
5°	1413	1413	1413
10°	339	339	339
15°	56	56	56
20°	12	12	12
25°	5	5	5
30°	3	3	3
35°	0	0	0
40°	0	0	0
45°	0	0	0

NFL - 28° Narrow Flood

- Input Power: 8.4 W
- Lumens: 822 lm
- Efficacy: 98 lm/W
- CBCP: 2696 cd
- Beam Angle: 29.2°
- Field Angle: 57.0°
- Spacing Criteria: 0.5

∠	0°	45°	90°
0°	2696	2696	2696
5°	1733	1733	1733
10°	405	405	405
15°	81	81	81
20°	17	17	17
25°	3	3	3
30°	1	1	1
35°	0	0	0
40°	0	0	0
45°	0	0	0



FL - 36° Flood

- Input Power: 8.4 W
- Lumens: 778 lm
- Efficacy: 93 lm/W
- CBCP: 1884 cd
- Beam Angle: 37.5°
- Field Angle: 63.3°
- Spacing Criteria: 0.65

∠	0°	45°	90°
0°	1871	1871	1871
5°	1829	1829	1829
10°	1642	1642	1642
15°	1306	1306	1306
20°	856	856	856
25°	450	450	450
30°	217	217	217
35°	103	103	103
40°	51	51	51
45°	28	28	28

WFL - 54° Wide Flood

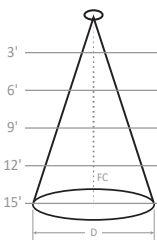
- Input Power: 8.4 W
- Lumens: 743 lm
- Efficacy: 88 lm/W
- CBCP: 767 cd
- Beam Angle: 55.8°
- Field Angle: 105.0°
- Spacing Criteria: 1.01

∠	0°	45°	90°
0°	757	757	757
5°	745	745	745
10°	700	700	700
15°	625	625	625
20°	529	529	529
25°	425	425	425
30°	325	325	325
35°	239	239	239
40°	167	167	167
45°	115	115	115

VFL - 71° Very Wide Flood

- Input Power: 8.4 W
- Lumens: 731 lm
- Efficacy: 87 lm/W
- CBCP: 483 cd
- Beam Angle: 71.3°
- Field Angle: 126.2°
- Spacing Criteria: 1.43

∠	0°	45°	90°
0°	483	483	483
5°	479	479	479
10°	460	460	460
15°	429	429	429
20°	390	390	390
25°	346	346	346
30°	301	301	301
35°	254	254	254
40°	207	207	207
45°	163	163	163



CRI-CCT MULTIPLIERS

CCT	98+ CRI (H)
2700K	0.92
3000K	1.00
3500K	1.04
4000K	1.05
5000K	1.06